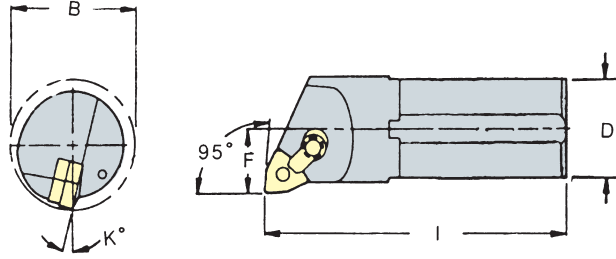




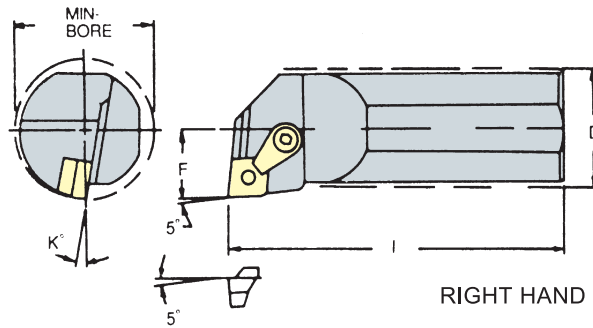
# Boring Bars

## MWLN 95°



ORDER NO.		INSERT	DIMENSIONS					PARTS				WEIGHT(kg)		CODE NO.	
Righthand	Lefthand		D	F	I	B	K°					Right	Left	Right	Left
S20R-MWLN08	S20R-MWLN08	WNMG 08 04	20	13	200	25	17°	-	LCS-511	CP50-26	CS70-21	0.50	0.50	6005-480	6005-580
S25R-MWLN08	S25R-MWLN08	WNMG 08 04	25	17	200	32	14°	-	LCS-511	CP50-26	CS70-21	0.95	0.95	6005-481	6005-581
S32S-MWLN08	S32S-MWLN08	WNMG 08 04	32	22	250	40	14°	SMW-422	LCS-614	CP50-22	CS70-22	1.60	1.60	6005-482	6005-582
S40T-MWLN08	S40T-MWLN08	WNMG 08 04	40	27	300	50	12°	SMW-422	LCS-614	CP50-22	CS70-22	2.90	2.90	6005-483	6005-583
S50U-MWLN08	S50U-MWLN08	WNMG 08 04	50	35	350	63	12°	SMW-422	LCS-614	CP50-22	CS70-22	5.90	5.90	6005-484	6005-584

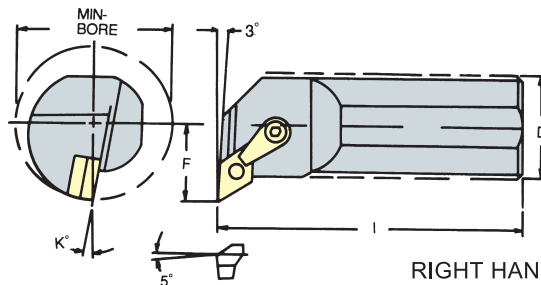
## MCLN 95°



RIGHT HAND SHOWN LEFT HAND OPPOSITE

ORDER NO.		INSERT	DIMENSIONS					PARTS				WEIGHT(kg)		CODE NO.	
Righthand	Lefthand		D	F	I	B	K°					Right	Left	Right	Left
S20R-MCLNR12	S20R-MCLNL12	CNMG 12 04 08	20	13	200	25	17°	-	LCS-511	CP50-26	CS70-21	0.50	0.50	6005-510	6005-610
S25R-MCLNR12	S25R-MCLNL12	CNMG 12 04 08	25	17	200	32	14°	-	LCS-511	CP50-26	CS70-21	0.95	0.95	6005-511	6005-611
S32S-MCLNR12	S32S-MCLNL12	CNMG 12 04 08	32	22	250	40	14°	SMC-432	LCS-617	CP50-22	CS70-22	1.60	1.60	6005-512	6005-612
S40T-MCLNR12	S40T-MCLNL12	CNMG 12 04 08	40	27	300	50	12°	SMC-432	LCS-617	CP50-22	CS70-22	2.90	2.90	6005-513	6005-613
S50U-MCLNR12	S50U-MCLNL12	CNMG 12 04 08	50	35	350	63	12°	SMC-432	LCS-617	CP50-22	CS70-22	5.90	5.90	6005-514	6005-614

## MDUN 93°



RIGHT HAND SHOWN LEFT HAND OPPOSITE

ORDER NO.		INSERT	DIMENSIONS					PARTS				WEIGHT(kg)		CODE NO.	
Righthand	Lefthand		D	F	I	B	K°					Right	Left	Right	Left
S25R-MDUNR15	S25R-MDUNL15	DNMG 15 04 08	25	17	200	32	12°	SMD-443	LCS-617	CS50-24	CS70-22	0.95	0.95	6005-540	6005-640
S32S-MDUNR15	S32S-MDUNL15	DNMG 15 04 08	32	22	250	40	10°	SMD-443	LCS-617	CS50-24	CS70-22	1.60	1.60	6005-541	6005-641
S40T-MDUNR15	S40T-MDUNL15	DNMG 15 04 08	40	27	300	50	10°	SMD-443	LCS-617	CS50-24	CS70-22	2.90	2.90	6005-542	6005-642
S50U-MDUNR15	S50U-MDUNL15	DNMG 15 04 08	50	35	350	63	10°	SMD-443	LCS-617	CS50-24	CS70-22	5.90	5.90	6005-543	6005-643