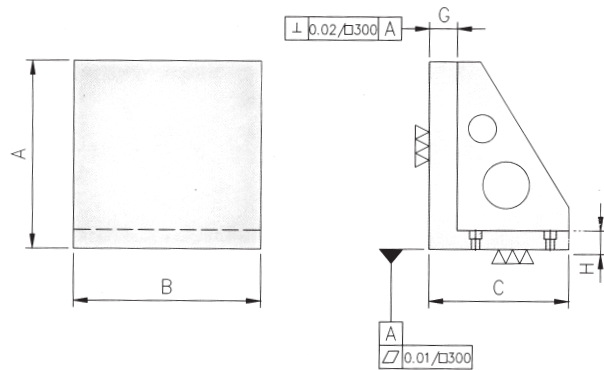
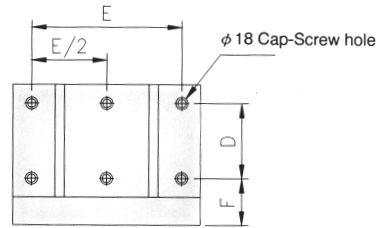
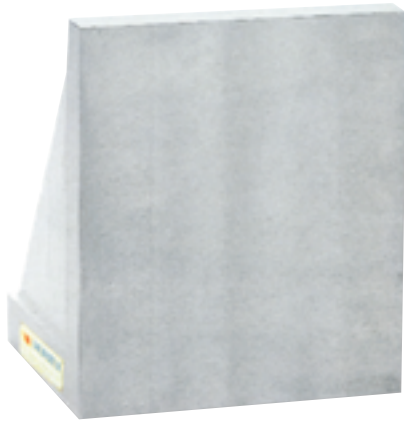




M/C Angle Plate 90°



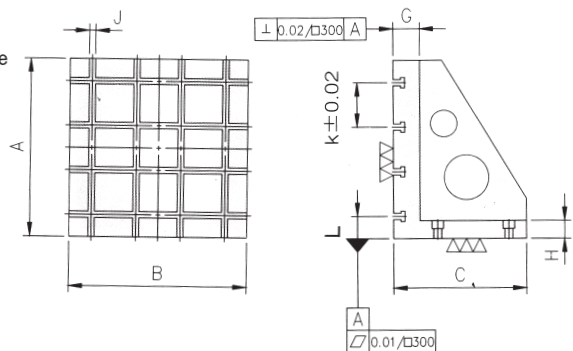
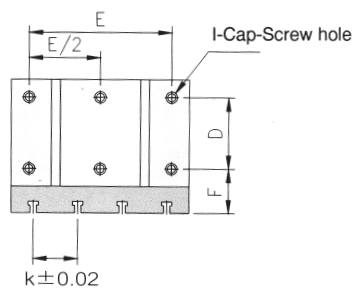
- Material/Finish:
Material:FC300(JIS)/GG30(DIN)
Heat treated (Normalized)
- Application:Good for horizontal M/C
- Features:Free to finish an actual required hole pattern for your special jig.
- eye bolt included.

ORDER NO.	A	B	C	D	E	F	G	H	kgs	CODE NO.
BP2 0- 30	300	300	220	100	250	90	40	30	52	4007-001
BP20 - 40	400	400	280	160	320	90	40	30	90	4007-002
BP20 - 50	500	500	350	200	400	90	50	35	175	4007-003
BP20 - 60	630	630	450	250	500	100	50	40	305	4007-004
BP20 - 80	800	800	550	320	640	115	50	45	480	4007-005



M/C Angle Plate 90°

TSLOT TYPE



ORDER NO.	A	B	C	D	E	F	G	H	I	H (H7)	K (+0.02)	L	kgs	CODE.NO.
BP22 - 30	300	300	220	100	250	90	60	30	ø18	14	100	50	61	4007-010
BP22 - 40	400	400	280	160	320	90	60	30	ø18	14	100	50	106	4007-011
BP22 - 50	500	500	350	200	400	90	60	35	ø18	14	100	50	184	4007-012
BP22 - 60	630	630	450	250	500	100	60	40	ø18	14	125	65	316	4007-013
BP22 - 80	800	800	550	320	640	115	75	45	ø18	14	150	100	577	4007-014
BP22 - 830	300	300	220	100	250	90	60	30	ø18	18	100	50	59	4007-015
BP22 - 840	400	400	280	160	320	90	60	30	ø18	18	100	50	101	4007-016
BP22 - 850	500	500	350	200	400	90	60	35	ø18	18	100	50	175	4007-017
BP22 - 860	630	630	450	250	500	100	65	40	ø18	18	125	65	304	4007-018