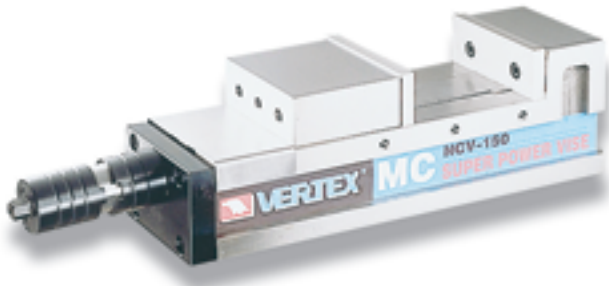




Hydraulic / Super Power M/C Vise

ORDER NO. VMC-5HU, 6HU

H/V TYPE



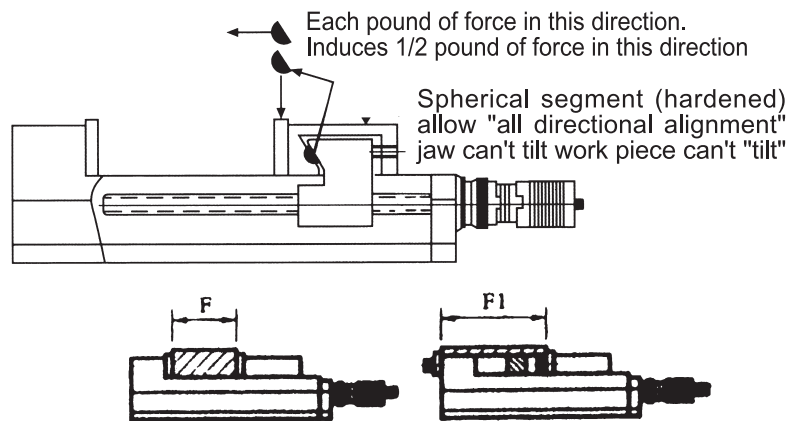
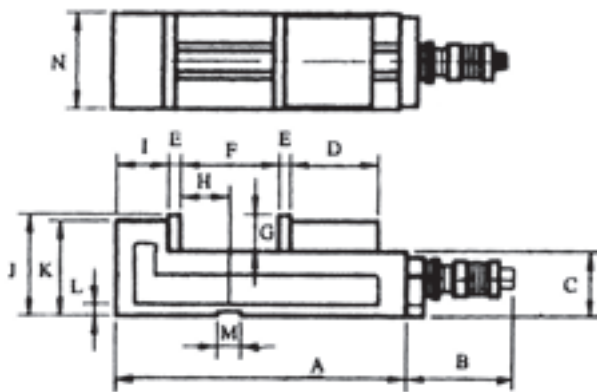
Performed vertically & Jointly.



Performed vertically with right angle base.



Performed sided vertically.



ORDER NO.	A	B	C	D	E	F	F1	F2	F3	G	H	I	J
VMC-5HU	405	200	95	115	15.5	180	240	290	380	55	65	69.5	150
VMC-6HU	495	200	105	130	15.5	240	320	360	470	58	65	84.5	163
VMC-5H	405	200	95	115	15.5	180	240	290		55	65	69.5	150
VMC-6H	495	200	105	130	15.5	240	320	360		58	65	84.5	163

THE SIZE TO BE CONTINUE