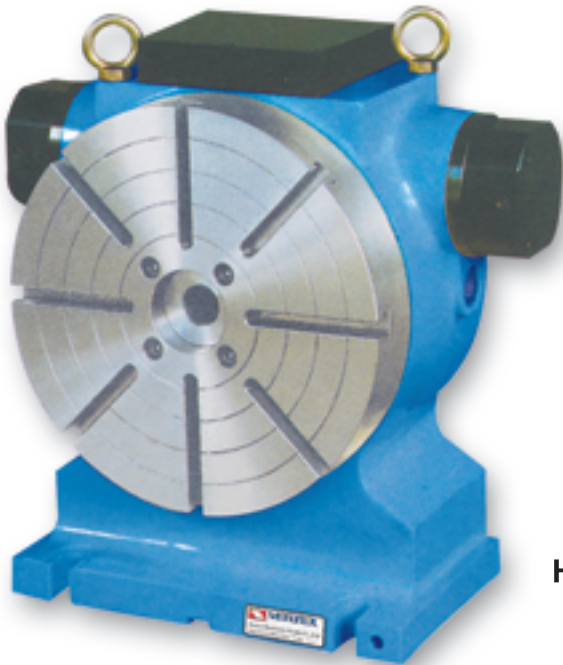




Super Hydraulic Feed Indexer

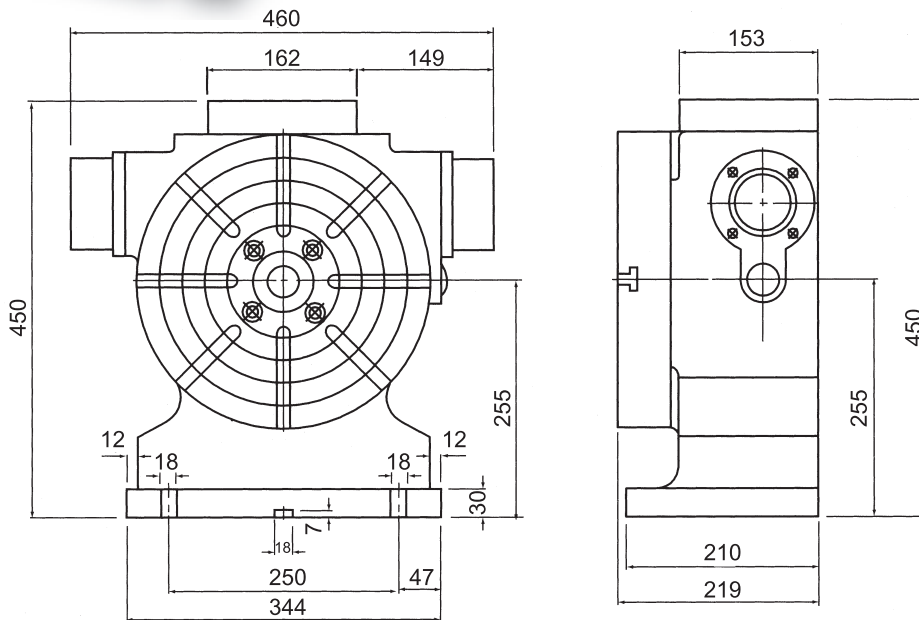


- Can be connected to M-code of machine center.
- Suitable also for CNC M/C, high indexing accuracy, equal division, and heavy duty cutting.
- Powerful clamping device.



3PCS PLANE GEAR PLATE
POSITIONING FOR SUPER
HYDRAULIC FEED INDEXER

HORIZONTAL / VERTICAL TYPE



SPECIFICATION

ORDER NO.	VNCT-250	VNCT-320A	VNCT-320B
Table diameter	Ø250	Ø320	Ø320
Center high	160	210	255
Division	Every model have 4,6,8,12,24 standard division, you can order any one of it only.		
Indexing accuracy	±5 sec.		
Rotate direction	(CW or CCW)		
Max.Workpiece load capacity(kg)	100	150	175
With tailstock	(250)	(250)	(350)
Weight	40	70	120
CODE NO.	4003-021	4003-022	4003-023

• Other of special division 3,5,7,11.....divisions, can be ordered.