

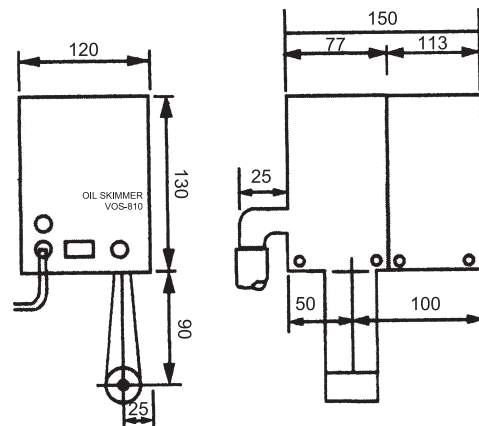
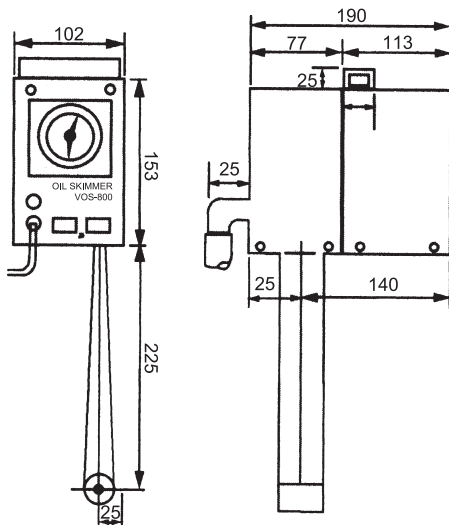
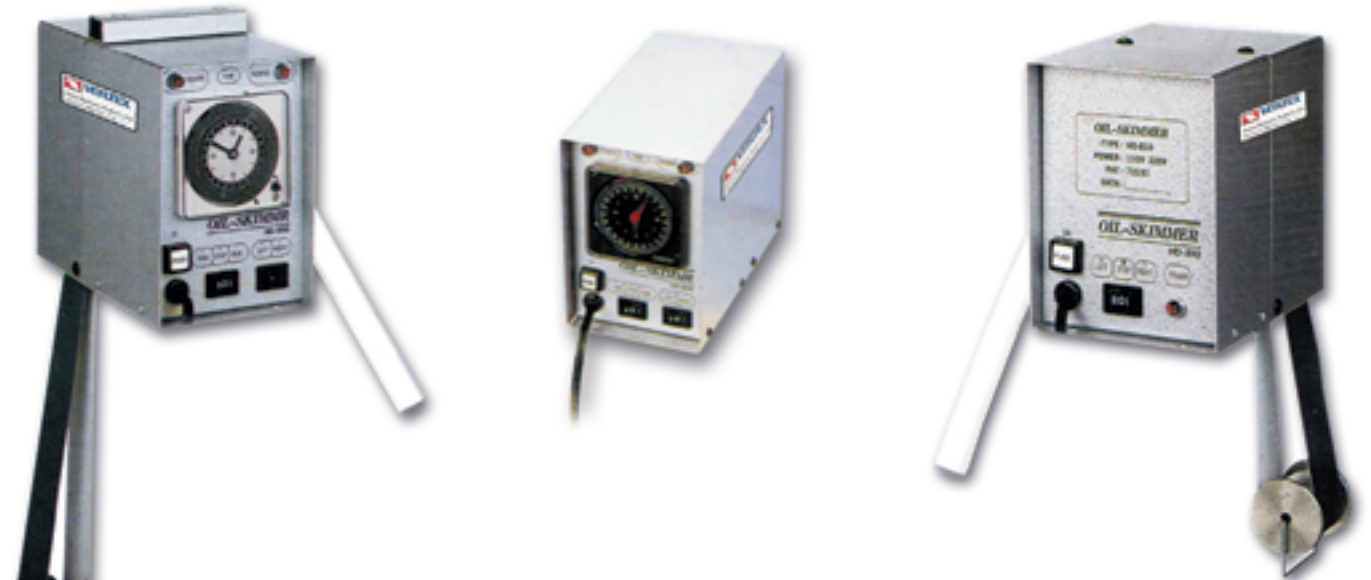


Oil Skimmer

OIL SKIMMER FOR MACHINE TOOL. IT IS FOR CLEAR FLOATING OIL ON CUTTING LIQUID.

ORDER NO. VOS-800

ORDER NO. VOS-810



FEATURES

1. Oily leather belt cycle for collecting oil and efficiently and completely getting rid of useless oil.
2. Much less cost of running., without any material expended.
3. Small volume., light weight., easy to install and to operate.
4. Special leather belt with feature of excellent durability, heat-resistance, and chemical-resistance.
5. VOS-800 attached a 24 hours procedure timer to run repeatedly in accordance with time proportion which it is set, and also provides the best efficiency of sucking floating oil.

Unit:mm

ORDER NO.	POWER SOURCE	CAPACITY	DIMENSION			WEIGHT	BELT DIMENSION		DIMENSION OF HOSE	CODE NO.
			L	B	H		B	L		
VOS-800	AC 110/220V	4L/h	190 m/m	102 m/m	153 m/m	3.5kg	39 X 800m/m		ø22 X 600m/m	2020-100
VOS-810			150 m/m	102 m/m	138 m/m		3.0kg	39 X 550m/m		2020-101