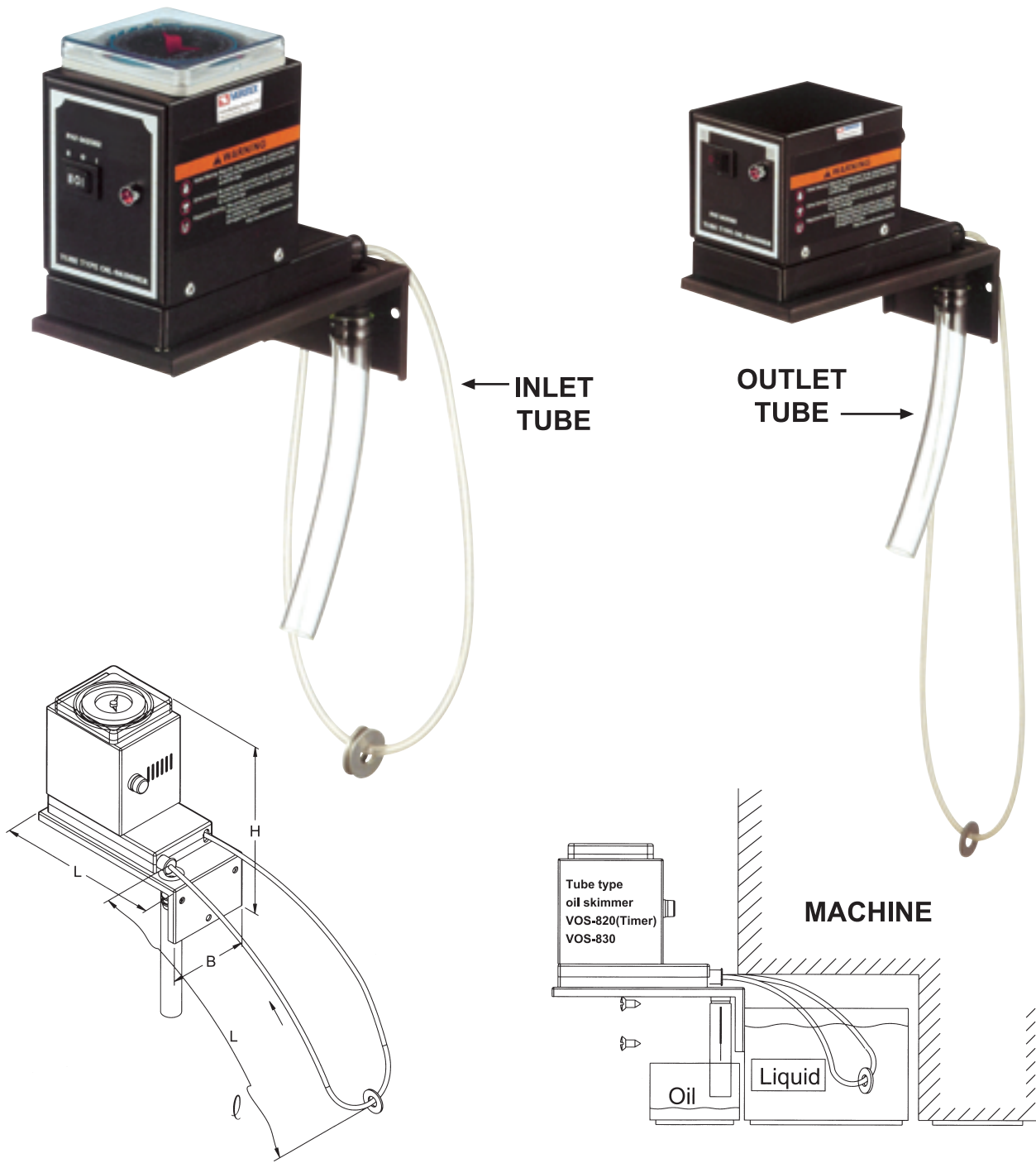




Tube Type Oil Skimmer

ORDER NO. VOS-820

ORDER NO. VOS-830



IF THE MACHINE DON'T HAVE SPACE FOR THE OIL SKIMMER.
PLEASE CHOICE THIS TYPE.

Unit:mm

| ORDER NO. | CAPICITY | DIMENSION | | | INLET TUBE SIZE | QUTLET TUBE SIZE | | POWER SOVRCE | WEIGHT | CODE NO. |
|-----------|----------|------------|-----------|------------|------------------------|------------------|---------|-------------------|--------|----------|
| | | L | B | H | | | | | | |
| VOS-820 | 1ℓ / hr | 155 m/m | 78 m/m | 178 m/m | ℓ 1:450mm | ∅22 | 150 m/m | AC 110 / 220 V | 1.5kg | 2020-102 |
| VOS-830 | | 155 m/m | 78 m/m | 140 m/m | ℓ 2:300mm ℓ 3:200mm | | | | | 2020-103 |