



Permanent Magnetic Lifter(ON/OFF Type)

Convenient and efficiency for makes more profit

Light weight
Less dimension
Lower price

Safety coefficient 3.5 times!



VML-2000



VML-1000



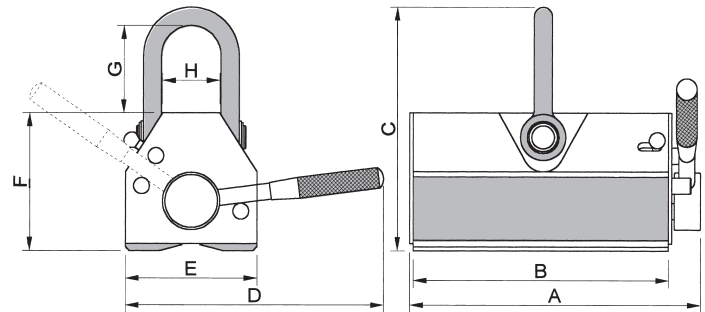
VML-100



VML-600



VML-300



● FEATURES

1. Each size suit for plate type & round type steel using.
2. All new models with "light weight" "less dimension" and "lower price".
3. Made by permanent magnet, require no power supply, thus eliminating hazards due to failure wiring system as electric type.
4. It features powerful magnetic force, with 3.3 times safety coefficient makes more safety in use.

DIMENSIONS

ORDER NO	Capacity	A	B	C	D	E	F	G	H	Weight	SAFETY COEFFICIENT	CODE NO.
	kg lbs	mm inch	mm inch	mm inch	mm inch	mm inch	mm inch	mm inch	mm inch	kg lbs		
VML-100	100 220	107 4.2	84 3.3	120 4.7	125 4.9	60 2.4	71 2.8	41 1.6	30 1.2	2.5 5.5	X 3.3 times	2018-060
VML-300	300 660	180 7.1	155 6.1	156 6.1	185 7.3	90 3.6	93 3.7	51 2.0	41 1.6	8.6 18.9		2018-061
VML-600	600 1320	255 10	224 8.8	212 8.3	260 10.2	115 4.5	120 4.7	77 3.0	52 2.0	21 46		2018-062
VML-1000	1000 2200	280 11	245 9.6	286 11.3	371 14.6	165 6.5	169 6.7	97 3.8	87 3.4	46 101		2018-063
VML-2000	2000 4400	422 16.6	380 15	348 13.7	512 20.2	216 8.5	215 8.5	105 4.1	121 4.8	118 259		2018-064

● OPERATIONS

With ON/OFF switch, it is very easy and convenient to operate.
See as the example pictures as below.

Notice: Never moves the handle to "ON" side, except on an iron object of holding.

ON



OFF

