



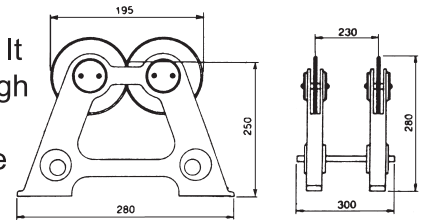
Wheel Ballancing Stand



ORDER NO. WBS-300
CODE NO. 2014-001

The stand is specifically designed for accuracy and longer life for grinding. It is finished with cast iron and fine through hardened to HRC55°, each one have match with parallel instruments, and the precision in 0.01mm. N.W.: 16.5kg

MAX.WHEEL DIAMETER ALLOWED
Ø 400mm

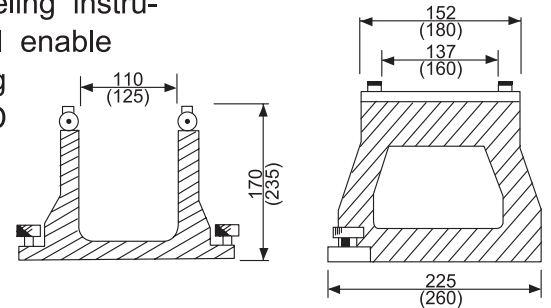


Level Ballancing Stand



ORDER NO. LBS-100, LBS-350
CODE NO. 2014-010, 2014-011

This machine encloses minute leveling instrument. The adjustment of horizontal enable rapidly and accurately. N.W. : 7.5kg
MAX.WHEEL DIAMETER ALLOWED
Ø200mm, Ø350mm

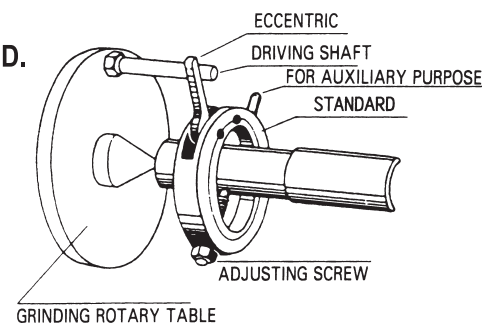
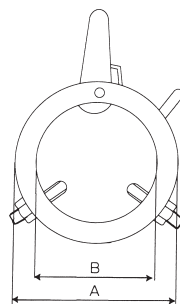


Driving Carrier



FEATURES:

- (1)SUITABLE FOR GRINDING OF SHAFTS.
- (2)EASY ATTACH AND DETACH BY ONE HAND.



ORDER NO.	CAPA CITY	A	B	WEIGHT (kg)	CODE NO.
VDC-13	Ø 6 ~ Ø14	36	18	0.06	2014 - 020
VDC-22	Ø13 ~ Ø24	48	28	0.1	2014 - 021
VDC-30	Ø20 ~ Ø33	58	38	0.13	2014 - 022
VDC-40	Ø31 ~ Ø42	68	48	0.16	2014 - 023
VDC-50	Ø36 ~ Ø50	78	58	0.19	2014 - 024
VDC-60	Ø40 ~ Ø62	89	68	0.22	2014 - 025
VDC-80	Ø60 ~ Ø80	119	88	0.48	2014 - 026
VDC-100	Ø80 ~ Ø100	140	109	0.56	2014 - 027