

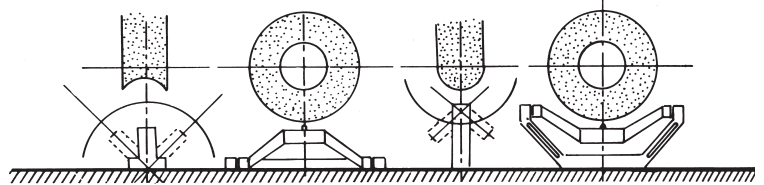


# Tangimatic Dresser

ORDER NO.V-TDA CODE NO.2012-001 WEIGHT : 6.8 kg



The dresser can be dressing any concave or convex of grinding wheel  
Convex R:0-90R(mm)  
Concave R:0-40R(mm)  
Max. wheel DIA.:8" (200mm)



# Tangimatic Dresser Handy Type

ORDER NO.V-TDH CODE NO.2012-002 WEIGHT : 4.5 kg



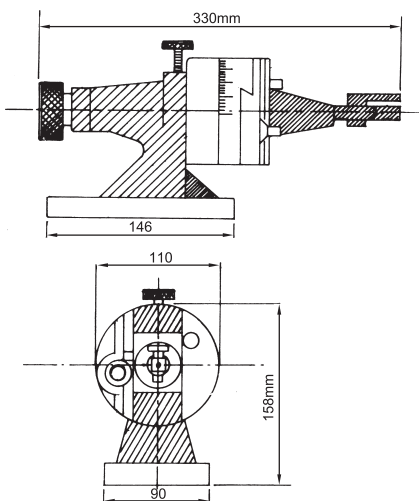
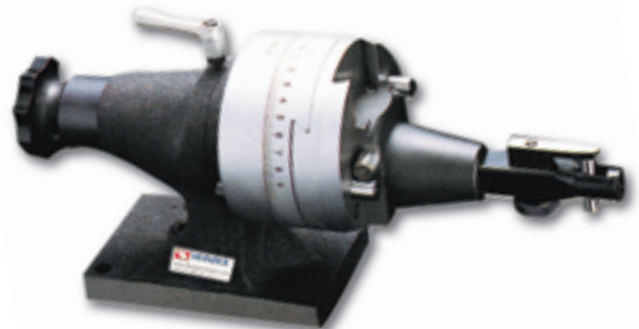
The dresser can be dressing any concave or convex of grinding wheel  
Convex R:0-90R(mm)  
Concave R:0-40R(mm)



# Radius And Angle Dresser

ORDER NO.V-TDB  
CODE NO.2012-010

Convex dressing range: 0.8R-40R  
Concave dressing range: 0-40R  
Max. wheel dressing diameter: 250mm  
Max. wheel extending diameter: 375mm



- Positive setting of the diamond to absolute center with the special gage included with the dresser.
- Simple, fast, accurate radius setting; no height gage or other set-up aids required. Radius is set on the ginder by measuring over the two pins or by inserting a gage block, as shown, for direct reading. Inside or outside radius is determined simply by sliding the dowel pin to the right for concave and to the left for convex.
- 4x90° graduation in full 360° circle. 6 Minute vernier reading. Chrome plated.
- One push-pull type knob for radius and angle control and for safer and faster operations.
- ACCURACY. Exteremely close tolerances are held in the manufacture of this tool, assured by hardening and precision grinding of all critical parts. Ways are chrome hardened.
- ECONOMY. Set-up and dressing time reduced to a bare mioimum due to simplicity.
- N.W.: 10.5kg