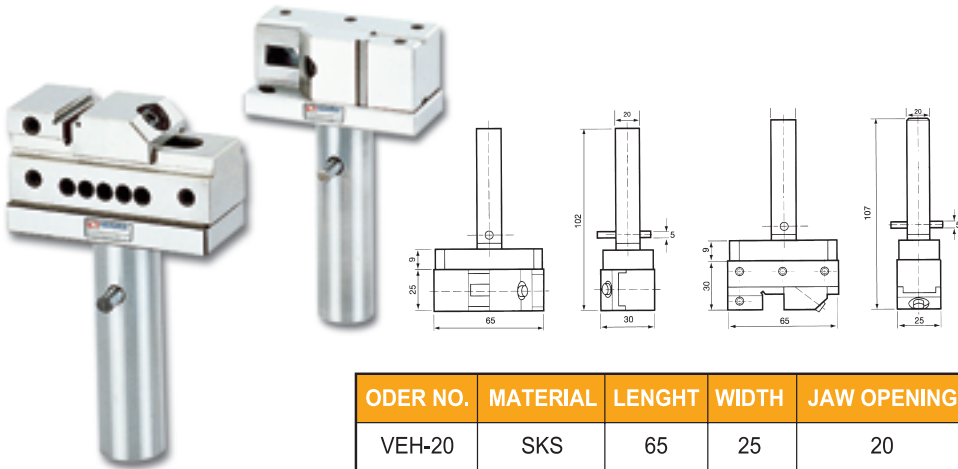




Electrode Vise (ALLOY STEEL) FOR EDM

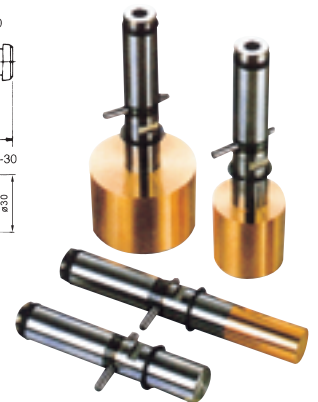
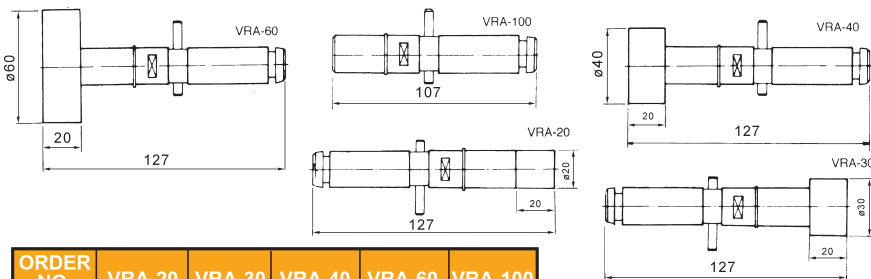


ORDER NO. VEH-20
 ELECTRODE HOLDERS FOR
 ELECTRO DISCHARGE MACHINE
 Mini vise can be used in fixed
 electrode hold-ers.
 The opening with a cross V groove
 on the vise can do electric discharging
 both by vertical way and horizontal
 way for various-shape workieces.
 The max. opening on the vise is
 20mm.

ORDER NO.	MATERIAL	LENGTH	WIDTH	JAW OPENING	JAW HEIGHT	HARDEN	N.W.	CODE NO.
VEH-20	SKS	65	25	20	10	HRC 58°-60°	0.8kg	2008-001



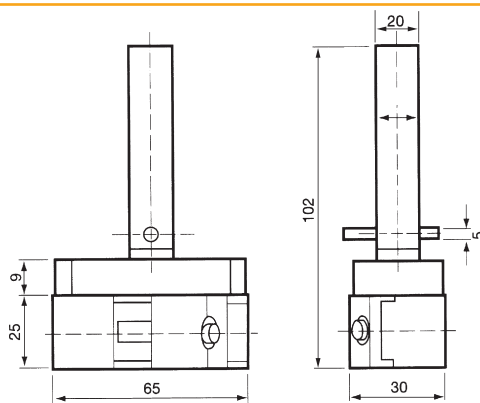
Electrode Holder FOR EDM



ORDER NO.	VRA-20	VRA-30	VRA-40	VRA-60	VRA-100
CODE NO.	2008-010	2008-011	2008-012	2008-013	2008-014
WEIGHT	0.2	0.3	0.45	0.55	0.25



Electrode Holders (STAINLESS) FOR EDM



ORDER NO. VEH-20MS
CODE NO. 2008-020
 WEIGHT : 0.8 kg

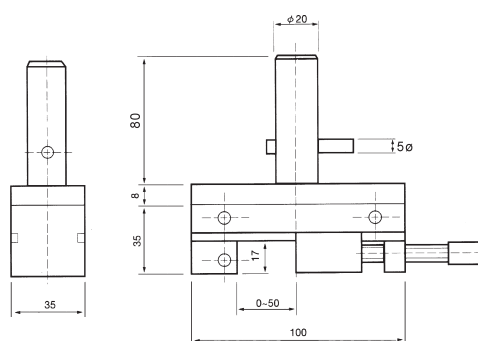
Material	SUS440
Paralleism	within 0.003mm/100mm
Squareness	within 0.005mm/100mm
Harden treatment up to HRC58°	



Electrode Holders (STAINLESS) FOR EDM



NEW



ORDER NO. VEH-20DS
CODE NO. 2008-030
 WEIGHT : 1.2 kg

Material	SUS440
Paralleism	within 0.003mm/100mm
Squareness	within 0.005mm/100mm
Harden treatment up to HRC58°	