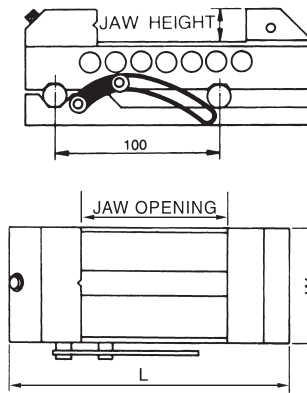




Sine Vise



SPECIFICATION

- Compound angles easily and quickly set.
 - Adjustments up to 46 degrees. The vice parallel
- Precision 0.005mm and vertical angles in 0.01mm.

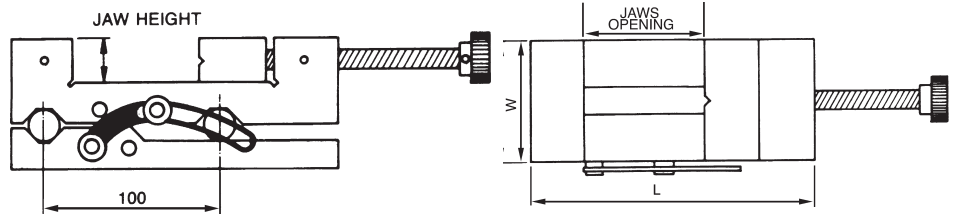
Accuracy	
Material Hardened	SKS HRC60°Sub-zero processing
Parallelism	Within 0.003/100mm
Squareness	Within 0.005/100mm
Model	V.VC.L CSV
Angle tol.	Within 15sec Within 20sec
Since conversion table attached	

Unit:mm

ORDER NO.	MATERIAL	LENGTH	WIDTH	JAW OPENING	JAW HEIGHT	ANGLE	HARDEN	N.W.	CODE.NO.
SVB-20	SK2	150	48	65	25	0°-46°	HRC56°-58°	3.1Kg	2003-030
SVB-25	SK2	170	63	90	35	0°-46°	HRC56°-58°	4.6Kg	2003-031
SVB-30	SK2	180	73	90	35	0°-46°	HRC56°-58°	9.1Kg	2003-032



Sine Vise



SPECIFICATION

Unit:mm

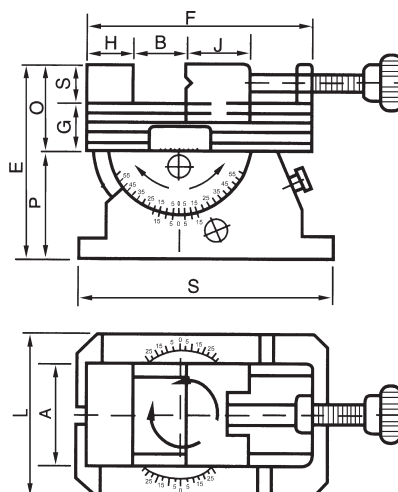
ORDER NO.	MATERIAL	LENGTH	WIDTH	JAW OPENING	JAW HEIGHT	ANGLE	HARDEN	N.W.	CODE.NO.
SVD-200	SK2	155	48	60	25	0°-46°	HRC56°-58°	5Kg	2003-040
SVD-250	SK2	176	63	70	30	0°-46°	HRC56°-58°	8Kg	2003-041
SVD-300	SK2	180	75	85	30	0°-46°	HRC56°-58°	12Kg	2003-042



Precision Universal Angle Vise



VUA-3



ORDER NO. VUA-3

- Precision graduation for accurate reading.
- Horizontal swivel through 360°
- The unit tilts 45° vertically.
- Its swivelling and tilting features make this unit well suited for straight or inclined surface, angular drilling machining on various machine tools as precision grinding machine, boring and milling machine, electrical discharge machine etc.

ORDER NO.	A	B	C	E	F	G	H	J	L	O	P	S	N.W.	CODE.NO.
VUA-3	70	80	30	158	160	32	32	43	110	62	75	180	13Kg	2003-050