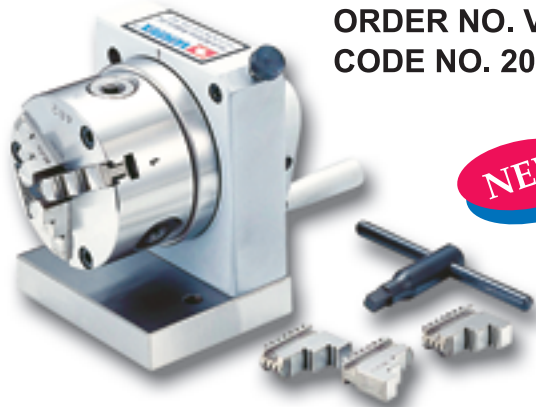


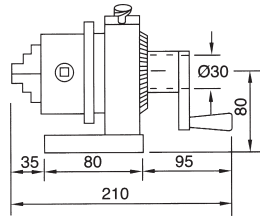
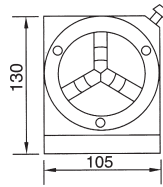


3-Jaws Punch Former

ORDER NO. V-PS-80J
CODE NO. 2001-030



NEW



1. The center of 3 jaws punch grider can move gently to fix and to help the concentricity more precision.
2. This punch grinder can divide into 24 angles, each angle is 15 degrees at 10 seconds accuracy, the weight is 11kgs.
3. This style base can select to set up sine plate to make sine plate to make sine angles. The sine plate also can be used with other Machines.
4. The base can select sine vise base which is good for sine angle use. (ORDER NO.V-PS-80JS)

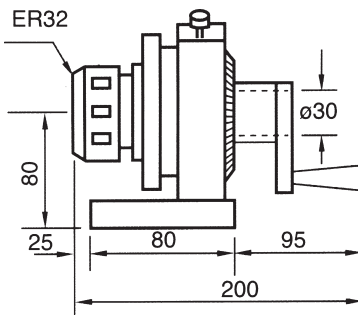


ER Collet Dividing Punch Former

ORDER NO. V-PS-ER32,V-PS-ER40
CODE NO. 2001-040,2001-041



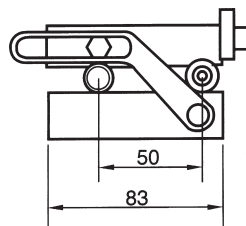
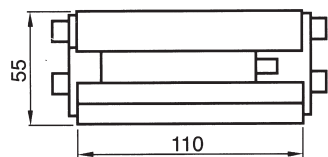
NEW



1. ER Collet Dividing Punch Grinder put ER32 main body and with collet inner size 6, 8, 10, 12, 16, 20mm, total 6pcs.the weight is 11kgs.
2. The center of collet can move gently to help the concentricity more precision.
3. This punch gnnder can divide into 24^o angles, each angle is 15 degrees at ±10 seconds currcacy.
4. ER16 connection, special accessory (v-601 20-ER16-50L WITH 10PCS COLLET) can use ER 16 base can select sine vise base which is good for sine angle use. (ORDER NO.V-PS-ER32S)



Sine Plate For All Type Punch Former



ORDER NO. V-PS-SP
CODE NO. 2001-050

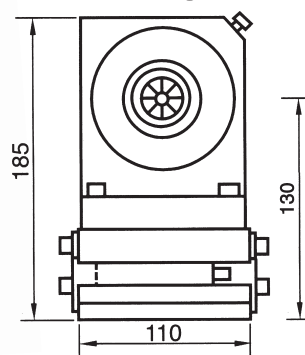
WEIGHT : 3 kg

IT'S SUIT FOR VERTEX'S V-PB
V-PS. V-PS-ER-32. V-PS-80J



ER Collet Dividing Punch Grinder With Sine Plate

ORDER NO. V-PS-ER32S
CODE NO. 2001-060
WEIGHT : 13.5 kg



3-Jaws Punch Former With Sine Plate

ORDER NO. V-PS-80JS
CODE NO. 2001-070
WEIGHT : 14 kg

