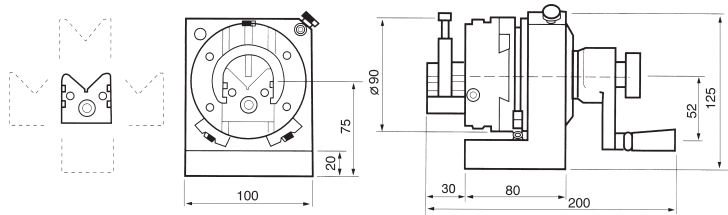




Punch Former



ORDER NO. V-PB
CODE NO. 2001-001
WEIGHT : 8 kg



- Punch former is the fixture to grind the point of standard punches and E.D.M. electrodes for precise and fast operation.
 - Besides the round, radius and multiangle punches, any special forms can be ground precisely.
 - By using this attachment, it can be ground either concave or convex radius shape.
 - The capacity is from 4mm to 30mm.
- Punch Former is the great dressing instrument. Precision from grinding of grinding wheel can be done by assembling an ARM with the main body. Any combination of tangents or radial form of the grinding wheel may be dressed accurately by easy operation. Max. diameter of grinding wheel within 200mm can be dressed accurately and safely. The height from base to roller's center is 80mm. Movement of each side can reach 12.5mm while aiming at the center of V block. The main body may be of one piece steel construction.

Specification

D(diameter) of the pressed part of the punch...4.30mm
 L(length) of the pressed part of the punch...above 22mm
 Upper and lower movement span of V block.....25mm
 Horizontal movement span of V block(one side)..12.5mm
 (two side)... 25mm

Length of V block30mm
 Height of the rotary central axis.....15mm
 Cutting and dividing.....24 equal pieces(15")
 Weight.....10kg.

Sand forming of the forming lever
 (concave R).....100mmR
 (convex R).....50mmR

Diamond sharpening knife
 (small diameter)60 X 50(1/10carat)
 (large diameter)100 X 50(1/4carat)

*Except for the handle and graduation scale all material is special hard tool steel (SKS-2) heat treated at HRC 63

*V block can be disassembled for use separately.

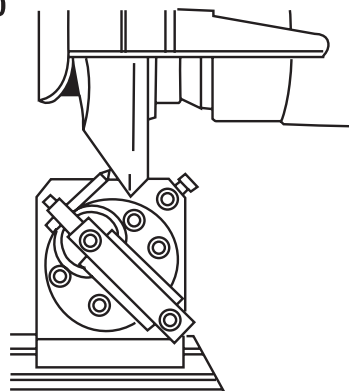


ORDER NO. V-PS
CODE NO. 2001-010
WEIGHT : 7.5 kg

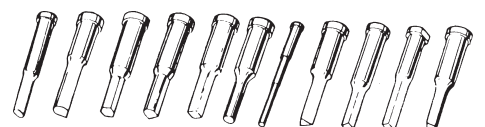
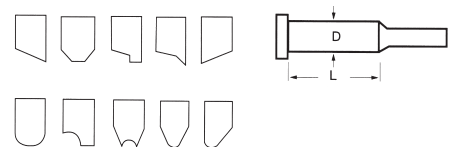
V-PS can pass through from itself to the center of grip, in case of facing a more longer punch ejector pin, it can go deep into of the grip position directly. To assemble an ARM with the main body, any combination of radii form of the grinding wheel may be dressed accurately by easy operation.

SPECIAL PART ACCESSORIES FOR ANGULAR DRESSING

ORDER NO. V-PF **CODE NO. 2001-020**
WEIGHT : 0.7 kg



Application style:



The wheel angular dressing